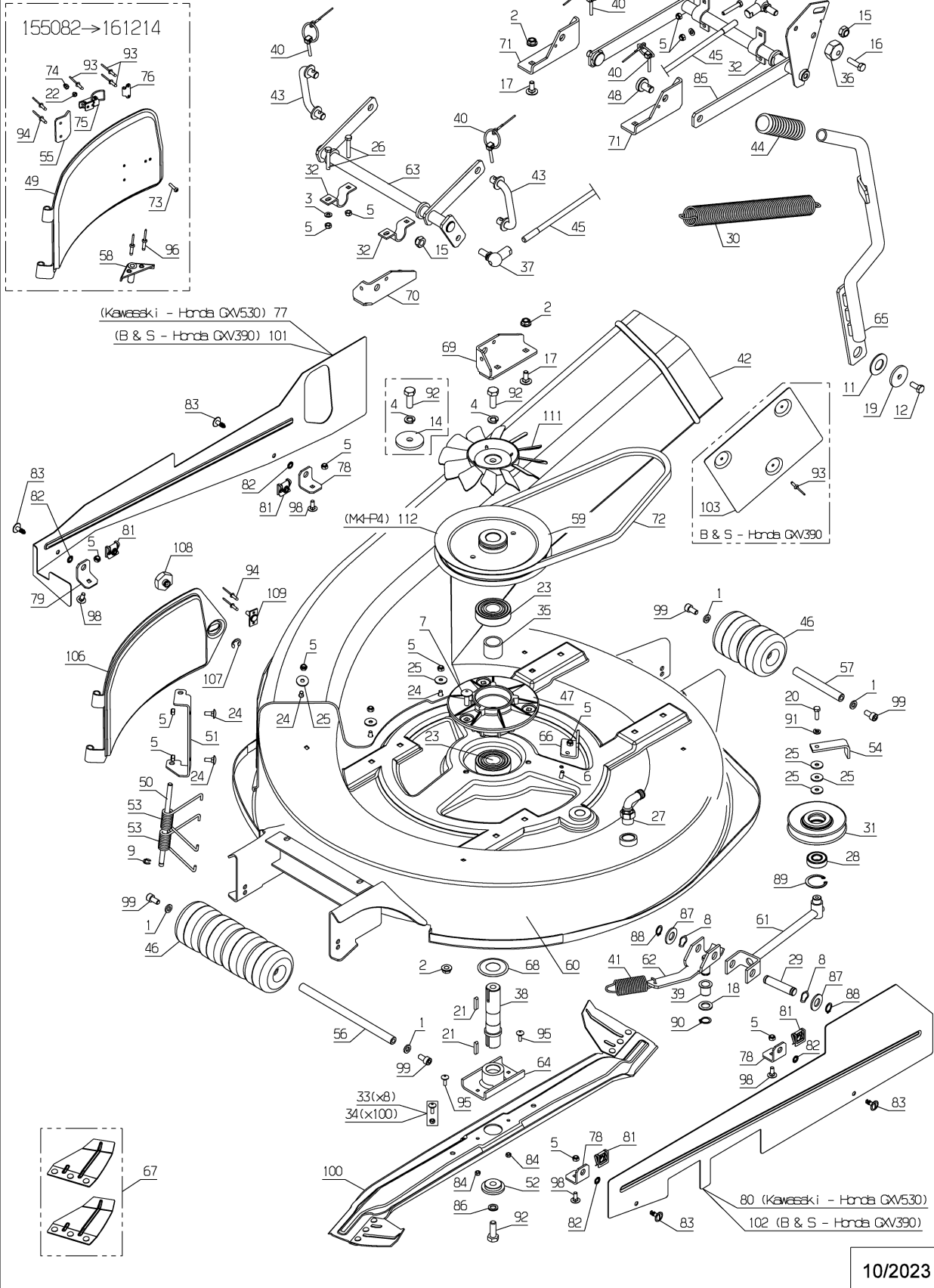


PL01503

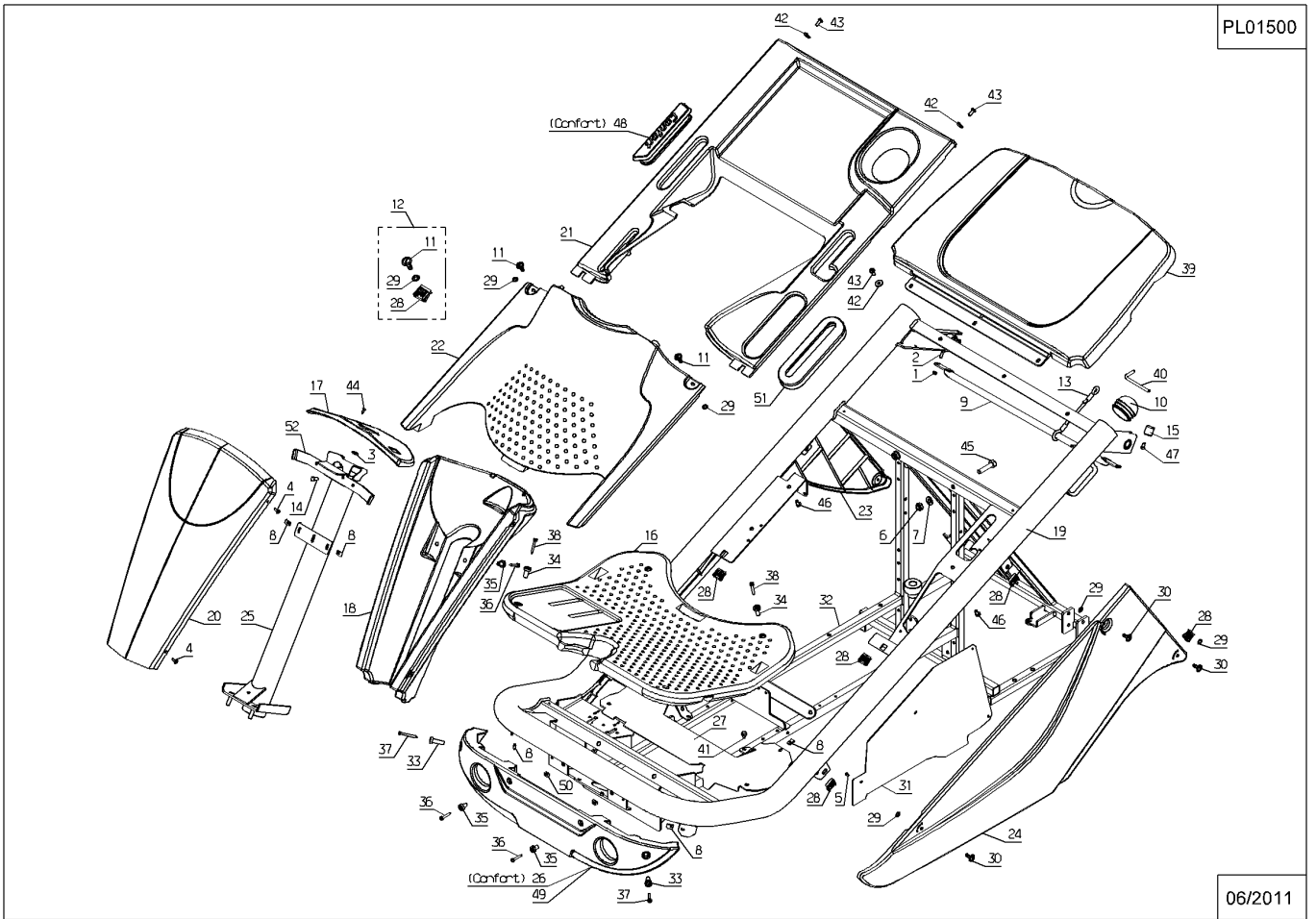


Number	Part Number	Name	Quantity
1	71343	SPRING WASHER A8	1,000
2	71205	SCREW M8	1,000
3	2235	WASHER A6.4	1,000
4	71052	SPRING WASHER,DIN 1	1,000
5	71201	NUT M6	1,000
6	37997	SCREW HM6-16 8.8	1,000
7	5347	SCREW 8X25	1,000
8	5411	WASHER	1,000
9	5602	ANNEAU TRUARC	1,000
11	7330	WASHER	1,000
12	71413	SCREW HM 8-20	1,000
14	7341	FLAT WASHER 10,3X49	1,000
15	9017	NUT HM10	1,000
16	9061	BOLT 8X30	1,000
17	9071	SCREW M8X20	1,000
18	9166	WASHER 15X24X2	1,000
19	20021	WASHER 8,5X40X4	1,000
20	20507	BOLT HM 6X20	1,000
21	20602	KEY 5X5X25	1,000
22	21525	NUT HM4	1,000
23	21553	BEARING 6305-2RS	1,000
24	21608	SCREW 6X16 DIN	1,000
25	22029	FLAT WASHER 6,5	1,000
26	22456	SCREW HM 6X40	1,000
27	53091	CORNER WATER PLUG	1,000
28	25112	BALL BEARING,6202 S	1,000
29	25126	BELT TIGHTENER ARM	1,000
30	25425	COMPENSATION SPRING	1,000
31	25509	TENSIONING PULLEY	1,000
32	25711	STRAP	1,000
33	26157	SET OF 8 SHEARBOLTS	1,000
34	26357	100 SHEAR BOLTS	1,000
35	28020	BLADE BEARING SPACR	1,000
36	28040	CUTTING HEIGHT STOP	1,000
37	28047	STEER. KNUCKLE M10	1,000
38	28062	BLADE SHAFT	1,000
39	28070	SLEEVE 15/17/20	1,000
40	28075	SAFETY PIN & CHAIN	1,000
41	28076	TENSION SPRING	1,000
42	39469	EJECTION CHANNEL	1,000
43	28113	INTERMEDIATE ROD	1,000

Number	Part Number	Name	Quantity
44	28118	CUT.HEIGHT LEVER HA	1,000
45	28119	ROD	1,000
46	28123	ROLLER	1,000
47	28171	BLADE BEARING	1,000
48	28208	SHAFT	1,000
49	28230	OBSERVATION FLAP	1,000
50	28231	FLAP SHAFT	1,000
51	28233	OBSERVAT.FLAP SUPP.	1,000
52	28238	BLADE WASHER	1,000
53	28245	FLAP SPRING	1,000
54	28284	BELT GUIDE	1,000
55	28288	FLAP HANDLE	1,000
56	28315	FR.ROLLER SHAFT 96	1,000
57	28316	REAR ROLLER SHAFT96	1,000
58	28386	DEFLECTOR GUIDE	1,000
59	28391	PULLEY D.190/D.206	1,000
60	28405	CUTTING DECK NAKED	1,000
61	50870	TENSIONNER ARM	1,000
62	28411	BELT TIGH.YOKE	1,000
63	28419	CUTT.HEIGHT FR.ARM	1,000
64	28420	BLADE COUPLING	1,000
65	28429	CUTT. HEIGHT LEVER	1,000
66	28448	STOP	1,000
67	28489	BLADE WING KIT	1,000
68	28530	PROTECTION WASHER	1,000
69	28720	FRONT LEFT BRACKET	1,000
70	28721	FRONT RIGHT BRACKET	1,000
71	28722	REAR BRACKET	1,000
72	28729	BELT 1207 MM	1,000
73	37072	SCREW HC M4-20 10.9	1,000
74	37073	NUT	1,000
75	37074	CLAMP	1,000
76	37085	CLAMP HOOK	1,000
77	37487	RIGHT PROTECTION	1,000
78	37310	LEFT PROTECT.FIXING	1,000
79	37311	PROTECTION FIXING	1,000
80	37307	LEFT PROTECTION KAW	1,000
81	37499	1/4 ROTATION LOCK	1,000
82	37500	1/4 ROTATION WASHER	1,000
83	37501	1/4 ROTATION SCREW	1,000
84	37561	NUT	1,000

Number	Part Number	Name	Quantity
85	37618	REAR ARM	1,000
86	37665	WASHER	1,000
87	71034	FLAT WASHER NFE 276	1,000
88	71036	DIN 471 14X1 EXT. C	1,000
89	71039	CIRCLIP,DIN 427 35X	1,000
90	71047	CIRCLIP DIN 471 15X	1,000
91	71049	SPRING WASHER,DIN 1	1,000
92	71110	HEXAGON SCREW,DIN 9	1,000
93	71113	NAIL RIVET, DIA. 4X	1,000
94	71114	ALUMINUM NAIL RIVET	1,000
95	71231	SCREW JM5-16	1,000
96	71327	NAIL RIVET 4X21	1,000
98	71361	SCREW RL X M6X16	1,000
99	71372	IN.HEX.SCREW M8X16	1,000
100	MZ80	BLADE FOR 80 CM	1,000
101	37308	RIGHT PROTECTION	1,000
102	37486	LEFT PROTECTION	1,000
103	28504	PROTECTION GUARD	1,000
106	50619	OBSERVATION FLAP	1,000
107	1559	RING TRUARC 10	1,000
108	50634	CLOSE BUTTOM	1,000
109	50672	OBSERVAT.FLAP FIX.	1,000
111	51548	COOLING FAN	1,000

PL01500

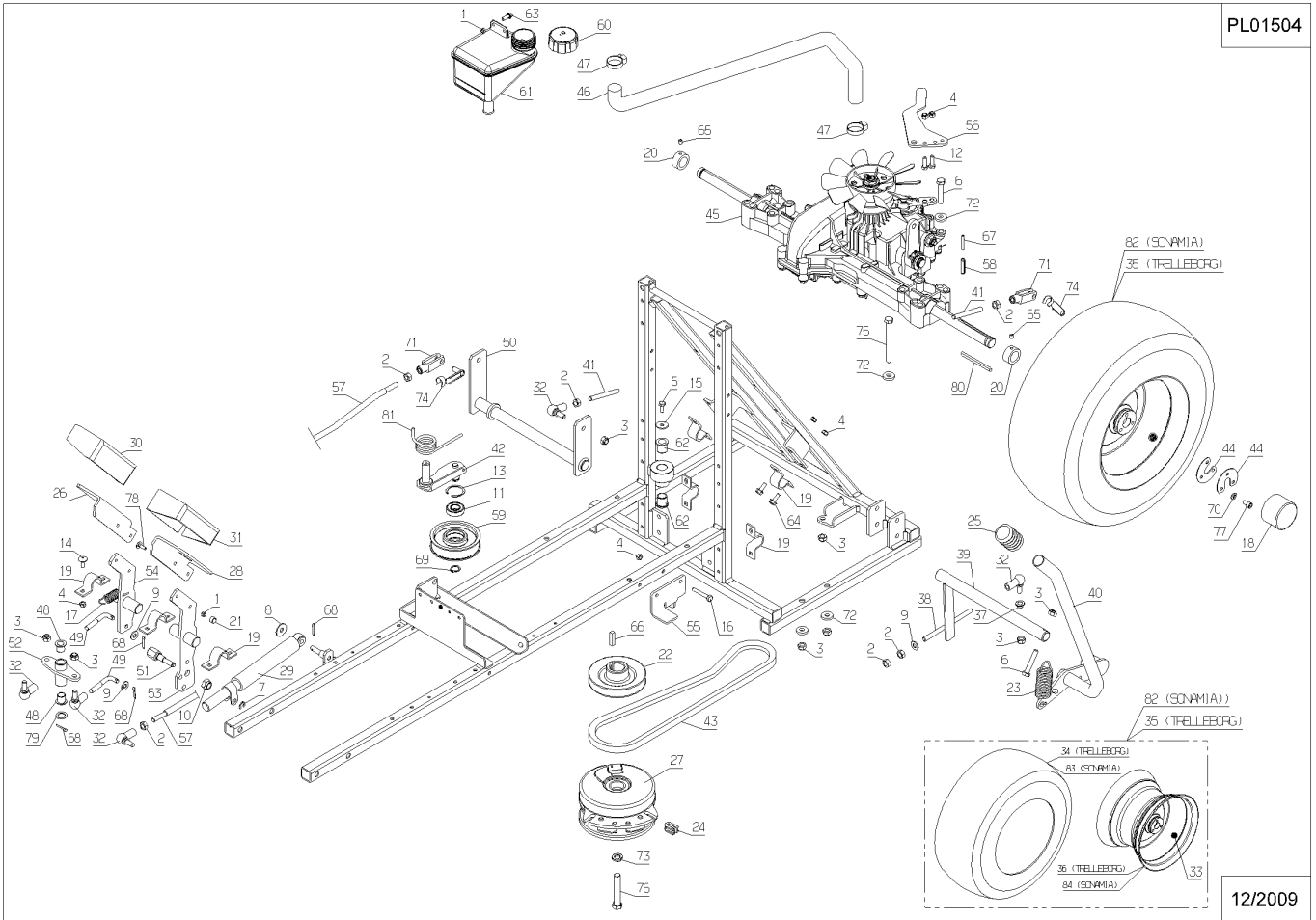


06/2011

Number	Part Number	Name	Quantity
1	37561	NUT	1,000
2	2009	BOLT M5X16	1,000
3	6178	CLIP NUT	1,000
4	71111	TAPPING SCREW,DIN 7	1,000
5	71048	BOLT EJ.PT KA40X10	1,000
6	9017	NUT HM10	1,000
7	21036	FLAT WASHER 10.5	1,000
8	21436	CLIPS NUT	1,000
9	28052	CROSSPIECE	1,000
10	28056	TUBE CAP 60	1,000
11	39230	LOCK 1/4 ROTATION	1,000
12	39231	1/4 ROT.KIT LG18	1,000
13	28239	COVER BAND	1,000
14	37997	SCREW HM6-16 8.8	1,000
15	29783	RUBBER STOP	1,000
16	36716	FLOOR	1,000
17	52503	DASHBOARD	1,000
18	36719	CONSOLE	1,000
19	36721	FRAME DIA.60 GREEN	1,000
20	36722	REAR CONSOLE WHITE	1,000
21	36723	REAR COVER WHITE	1,000
22	36724	FRONT COVER WHITE	1,000
23	36726	RIGHT SIDE COVER WH	1,000
24	36727	LEFT SIDE COVER WHI	1,000
25	36842	STEERING CONS.CPL.G	1,000
26	36714	STEERINGCOVER BLACK	1,000
27	37339	BRACKET	1,000
28	37499	1/4 ROTATION LOCK	1,000
29	37500	1/4 ROTATION WASHER	1,000
30	37501	1/4 ROTATION SCREW	1,000
31	37536	MUFFLER PROTECTION	1,000
32	37715	FRAME	1,000
33	37796	BUSH LG 29.7	1,000
34	37797	BUSH LG 20	1,000
35	37798	BUSH LG 13	1,000
36	37836	SCREW ST4.8-32,C	1,000
37	37837	SCREW ST4.8-45,C	1,000
38	37901	SCREW ST4.8-38,C	1,000
39	38044	GRASSBOX COVER WHIT	1,000
40	38071	ROD	1,000
41	38408	SCREW HM6-16 8,8	1,000

Number	Part Number	Name	Quantity
42	71096	WASHER B6,4	1,000
45	71198	HEX.SCREW HM10X45	1,000
46	71277	SCREW 60X12	1,000
47	71355	HEX.SCREW M6X10	1,000
48	37825	PLUG	1,000
49	37328	STEERINGCOVER BLACK	1,000
50	71459	NUT	1,000
51	28242	COVER CUTTING HEIGH	1,000
52	38422	REINFORCING PLATE	1,000

PL01504

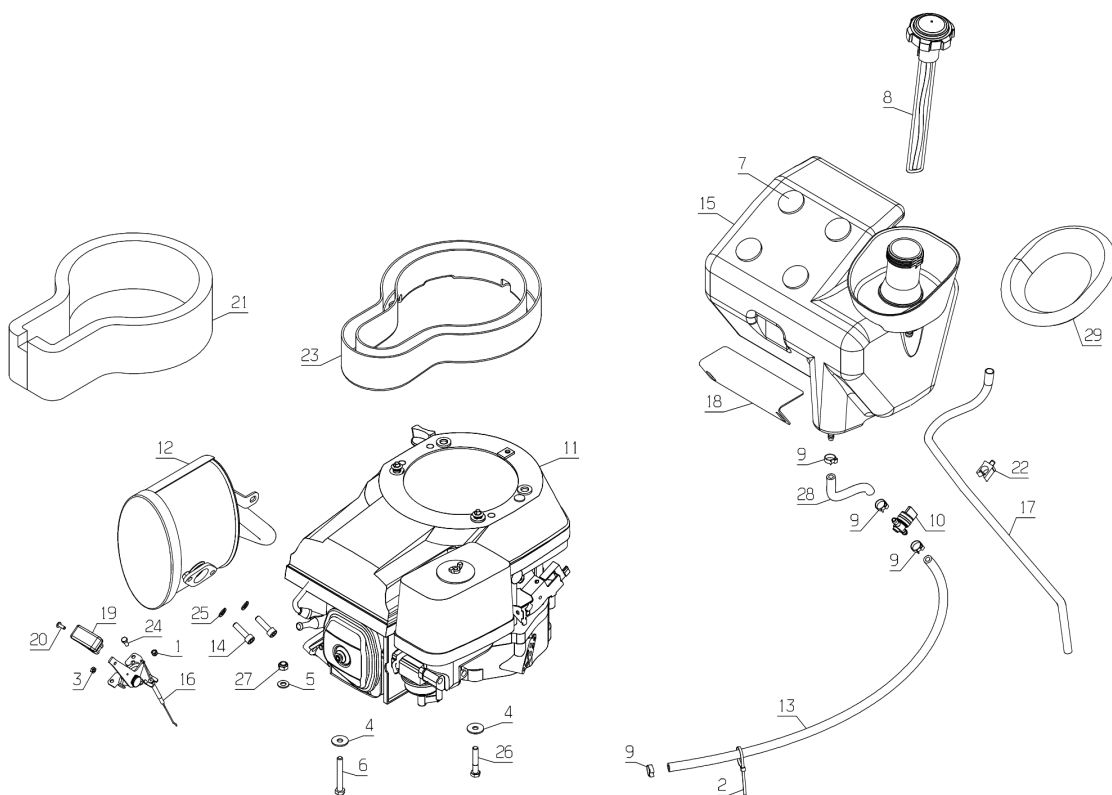


12/2009

Number	Part Number	Name	Quantity
1	37561	NUT	1,000
2	2020	NUT HM8	1,000
3	71205	SCREW M8	1,000
4	71201	NUT M6	1,000
5	37997	SCREW HM6-16 8.8	1,000
6	5340	HEXAGON SCREW,DIN 9	1,000
7	5602	ANNEAU TRUARC	1,000
8	7035	FLAT WASHER	1,000
9	7335	WASHER	1,000
10	9017	NUT HM10	1,000
11	9022	BALL BEARING 6002	1,000
12	20507	BOLT HM 6X20	1,000
13	21256	CIRCLIP	1,000
14	21608	SCREW 6X16 DIN	1,000
15	22029	FLAT WASHER 6,5	1,000
16	22456	SCREW HM 6X40	1,000
17	24717	BRAKE SPRING	1,000
18	25176	WHEEL CAP	1,000
19	25711	STRAP	1,000
20	25728	BRAKE THRUST WASHER	1,000
21	25900	PROTECTIVE COWL	1,000
22	28011	PULLEY	1,000
23	28076	TENSION SPRING	1,000
24	28078	CLUTCH STOP GUIDE	1,000
25	28100	BRAKE LEVER HANDLE	1,000
26	28131	FORWARD PEDAL	1,000
27	28135	ELECTROMAGN. CLUTCH	1,000
28	28139	REVERSE PEDAL	1,000
29	28143	SHOCK ABSORBER	1,000
30	28167	COVERING FORW.PEDAL	1,000
31	28188	COVERING REV. PEDAL	1,000
32	28234	KNUCKLE M8	1,000
33	28353	INNER TUBE REAR	1,000
34	28445	REAR TYRE TREL	1,000
35	28479	REAR WHEEL GR. TREL	1,000
36	28483	REAR RIM GR. TR	1,000
37	28507	SPACER	1,000
38	28508	PARKING BRAKE ROD	1,000
39	28509	PARKING BRAKE TUBE	1,000
40	28512	PARKING BRAKE LEVER	1,000
41	28516	VORWARD DRIVE ROD	1,000

Number	Part Number	Name	Quantity
42	51189	BELT TIGHTENER	1,000
43	28525	BELT 955 MM	1,000
44	52175	SECURING RING	1,000
45	28529	HYDRO BOX K46	1,000
46	28532	PRE FORMED HOSE	1,000
47	28534	COLLAR 16-27	1,000
48	28555	SLEEVE 12/14/15	1,000
49	28556	PEDAL ROD	1,000
50	28558	FORW.DRIVE SHAFT.H.	1,000
51	28560	ROD PIN	1,000
52	28563	PLATE	1,000
53	28564	REV.PEDAL ROD ASSY	1,000
54	28566	FOR.PEDAL ROD ASSY	1,000
55	28583	CLUTCH STOP	1,000
56	28603	BY-PASS LEVER	1,000
57	28605	ROD	1,000
58	28629	PIN	1,000
59	35141	TENSIONNER PULLEY	1,000
60	36382	PLUG 175	1,000
61	36569	COMPENSATION TANK	1,000
62	37059	BUSH JFM 141822-20	1,000
63	37996	SCREW HM5-16 8.8	1,000
65	71355	HEX.SCREW M6X10	1,000
66	71007	B-SHAPE KEY 6.35X6.	1,000
67	71014	SPIRAL PIN,DIN 1481	1,000
68	71018	V3,2 SPLIT PIN	1,000
69	71047	CIRCLIP DIN 471 15X	1,000
70	71049	SPRING WASHER,DIN 1	1,000
71	71077	YOKE DIN 71751 8X32	1,000
72	71126	FLAT WASHER,DIN 734	1,000
73	71159	WASHER 7/16"	1,000
74	71169	STUD 8X32	1,000
75	71199	SCREW HM8X90	1,000
76	71208	SCREW H7/16"20	1,000
78	71231	SCREW JM5-16	1,000
79	71336	WASHER 13X20X2	1,000
80	71418	KEY 4,76X4,76X75	1,000
81	25511	UPPER BELT TIGHTENE	1,000
82	28186	REAR WHEEL GR. S/N	1,000
83	28351	TYRE SO/NAT	1,000
84	28355	REAR RIM GR. S	1,000

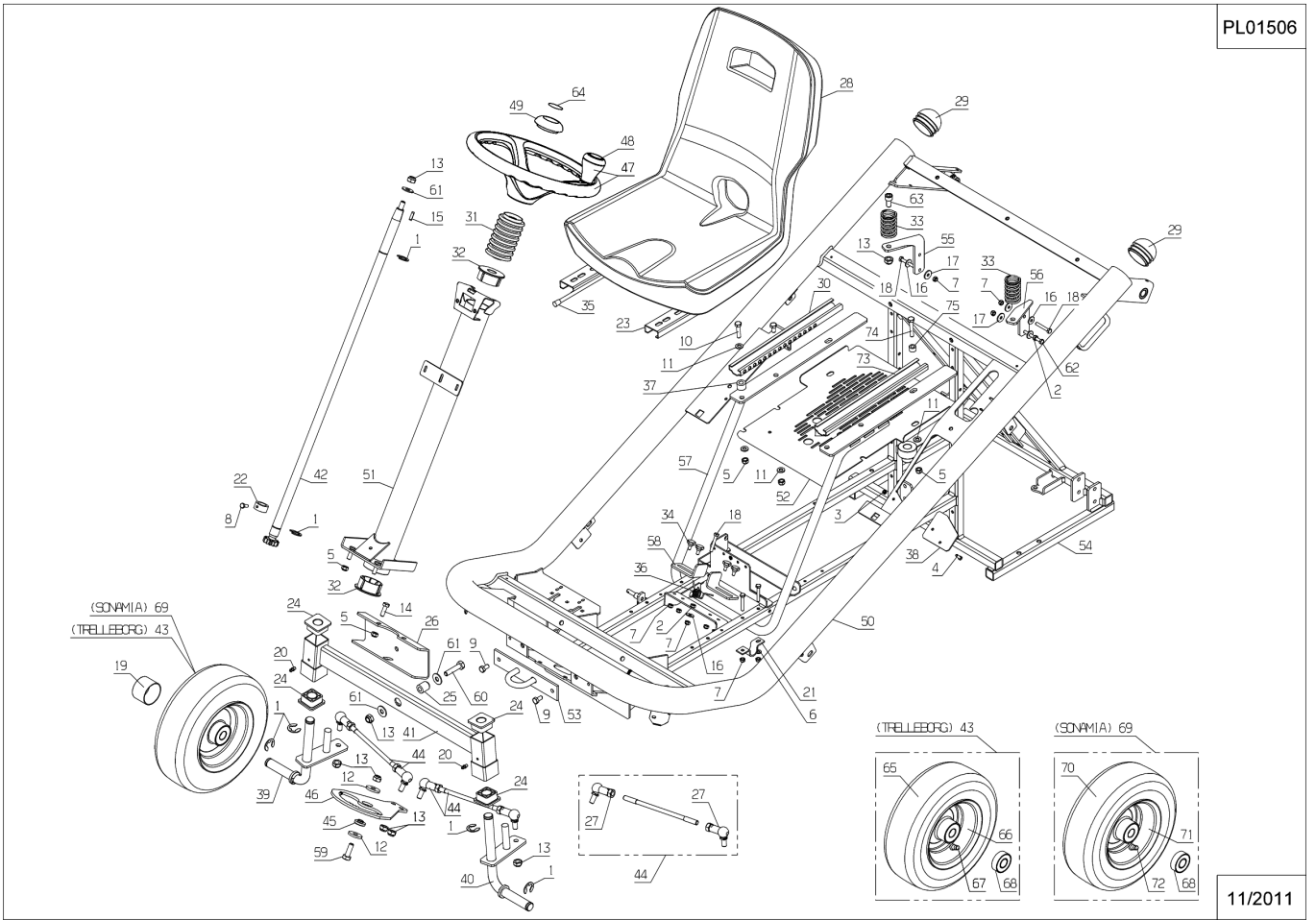
PL01535



11/2011

Number	Part Number	Name	Quantity
1	37561	NUT	1,000
2	5202	RILSAN COLLAR	1,000
3	5488	NUT HM 4.8	1,000
4	7035	FLAT WASHER	1,000
5	7335	WASHER	1,000
6	20513	SCREW,DIN 933 H M 8	1,000
7	25879	SELF-ADHESIVE WASHE	1,000
8	28055	PETROL GAUGE	1,000
9	28323	HOSE HAND CLIP	1,000
10	28324	FUEL STOP VALVE	1,000
11	28467	HONDA GXV390 ENGINE	1,000
12	28639	MUFFLER (HONDA)	1,000
13	30281	FUEL HOSE 1400 MM	1,000
14	35433	SCREW M8-30,8.8	1,000
15	37809	FUEL TANK	1,000
16	37822	THROTTLE CABLE	1,000
17	38000	HOSE	1,000
18	38074	TANK BRACKET	1,000
19	38127	THROTTLE LEVER	1,000
20	38130	SCREW M4X12,4.6	1,000
21	38272	FOAM	1,000
22	38273	CLIP DIAM 12	1,000
23	38412	FOAM FIXING	1,000
24	71284	SCREW HM5X12	1,000
25	71343	SPRING WASHER A8	1,000
26	71426	SCREW H 5/16" UNF45	1,000
27	71205	SCREW M8	1,000
28	39194	FUEL HOSE	1,000
29	39273	TANK FOAM	1,000

PL01506

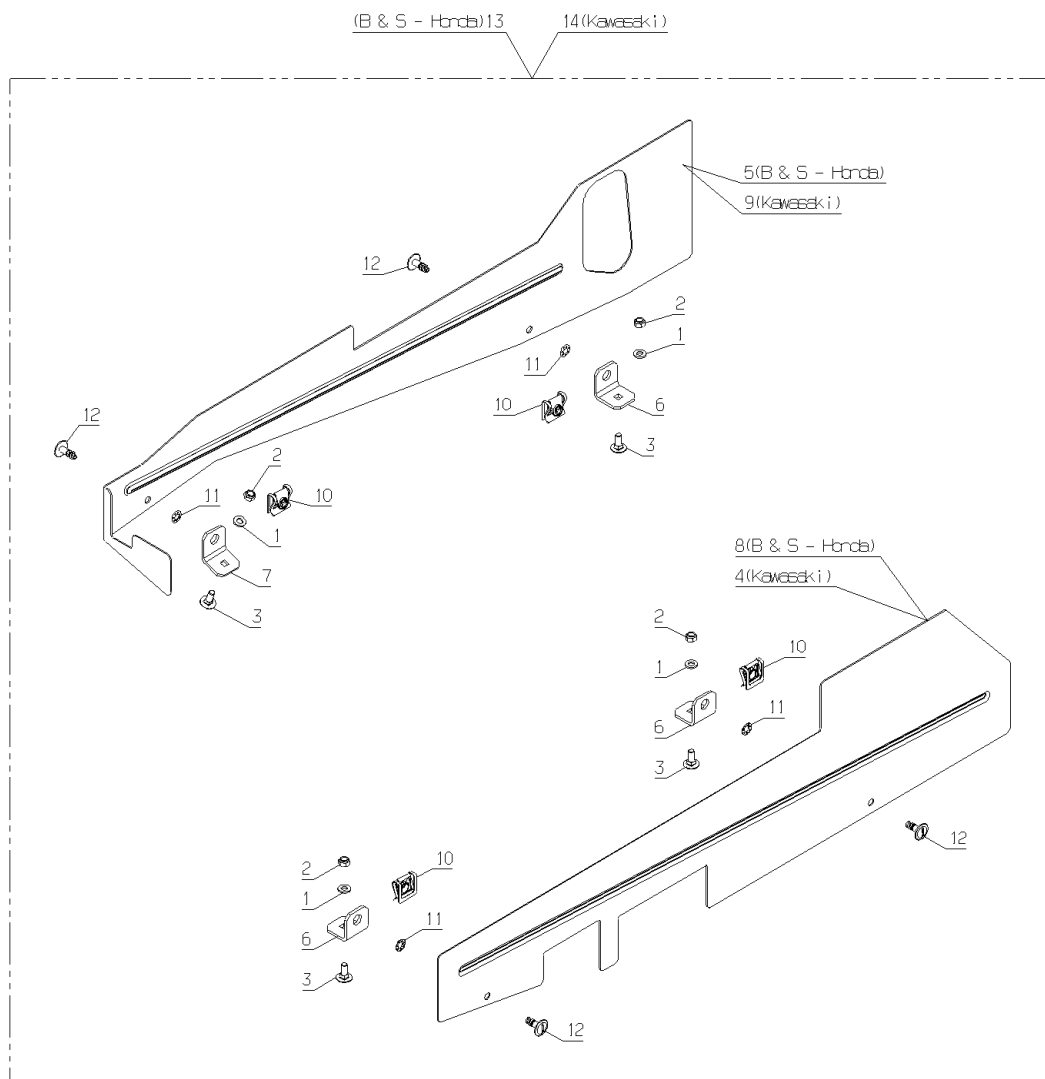


11/2011

Number	Part Number	Name	Quantity
1	1513	CIRCLIP 15	1,000
2	1557	NUT HM6	1,000
3	37561	NUT	1,000
4	2009	BOLT M5X16	1,000
5	71205	SCREW M8	1,000
6	2235	WASHER A6.4	1,000
7	71201	NUT M6	1,000
8	37997	SCREW HM6-16 8.8	1,000
9	6169	SCREW HM8X16	1,000
10	7038	SCREW,DIN933 H M 8X	1,000
11	7335	WASHER	1,000
12	9009	WASHER	1,000
13	9017	NUT HM10	1,000
14	9056	BOLT 8X25	1,000
15	20606	KEY 5X5X20	1,000
16	21270	WASHER 6,4	1,000
17	22029	FLAT WASHER 6,5	1,000
18	22456	SCREW HM 6X40	1,000
19	25176	WHEEL CAP	1,000
20	25301	RH STD "HYDRAULIC"	1,000
21	25711	STRAP	1,000
22	25728	BRAKE THRUST WASHER	1,000
23	38745	SEAT GUIDE LEFT	1,000
24	28024	GUIDE RING	1,000
25	28025	FRONT AXLE SPACER	1,000
26	28028	STEERING RING SUPP.	1,000
27	28047	STEER. KNUCKLE M10	1,000
28	38057	SEAT	1,000
29	28056	TUBE CAP 60	1,000
30	38746	SEAT GUIDE RIGHT	1,000
31	28110	BELLOWS	1,000
32	28111	CONSOLE GUIDE RING	1,000
33	28112	SEAT SPRING	1,000
34	28137	CATCH BOLT SP.SCREW	1,000
35	38744	SEAT GUIDE RIGHT	1,000
36	28206	SEAT BLOCAGE SPRING	1,000
37	28296	SPACER	1,000
38	28381	LOCK LOWER CUT.HEI.	1,000
39	28401	RIGHT STUB AXLE	1,000
40	28402	LEFT STUB AXLE	1,000
41	28403	FRONT AXLE	1,000

Number	Part Number	Name	Quantity
42	28430	STEERING COLUMN	1,000
43	28478	FRONT WHEEL GR. 6"	1,000
44	28536	STEERING ROD	1,000
45	28608	SPACER	1,000
46	28609	DRIVE CROWN GEAR	1,000
47	29900	STEERING WHEEL	1,000
48	29923	STEERING WHEEL GAIT	1,000
49	29978	STEERING WHEEL CAP	1,000
50	36721	FRAME DIA.60 GREEN	1,000
51	36842	STEERING CONS.CPL.G	1,000
52	36847	SEAT CONTACT PLATE	1,000
53	37289	HOOK	1,000
54	37715	FRAME	1,000
55	53011	CORNER SEAT RIGHT	1,000
56	53012	CORNER SEAT LEFT	1,000
57	37812	SEAT BRACKET	1,000
58	38056	SEAT STOP	1,000
59	71110	HEXAGON SCREW,DIN 9	1,000
60	71198	HEX.SCREW HM10X45	1,000
61	71238	WASHER A10,2	1,000
62	71288	SCREW HM6X60 8.8	1,000
63	71434	IN.HEX.SCREW M10X20	1,000
64	25330	BADGE - ETESIA	1,000
65	28444	FRONT TYRE 6"	1,000
66	28482	FRONT RIM GR. 6"	1,000
67	28484	INNER TUBE 6"	1,000
68	25616	BEARING	1,000
69	28452	FRONT WHEEL GR. 5"	1,000
70	28455	FRONT TYRE 5"	1,000
71	28454	FRONT RIM GR. 5"	1,000
72	28456	INNER TUBE 5"	1,000
73	38747	SEAT GUIDE LEFT	1,000
74	5340	HEXAGON SCREW,DIN 9	1,000
75	42043	BUSH 15X8,5X10	1,000

PL01551



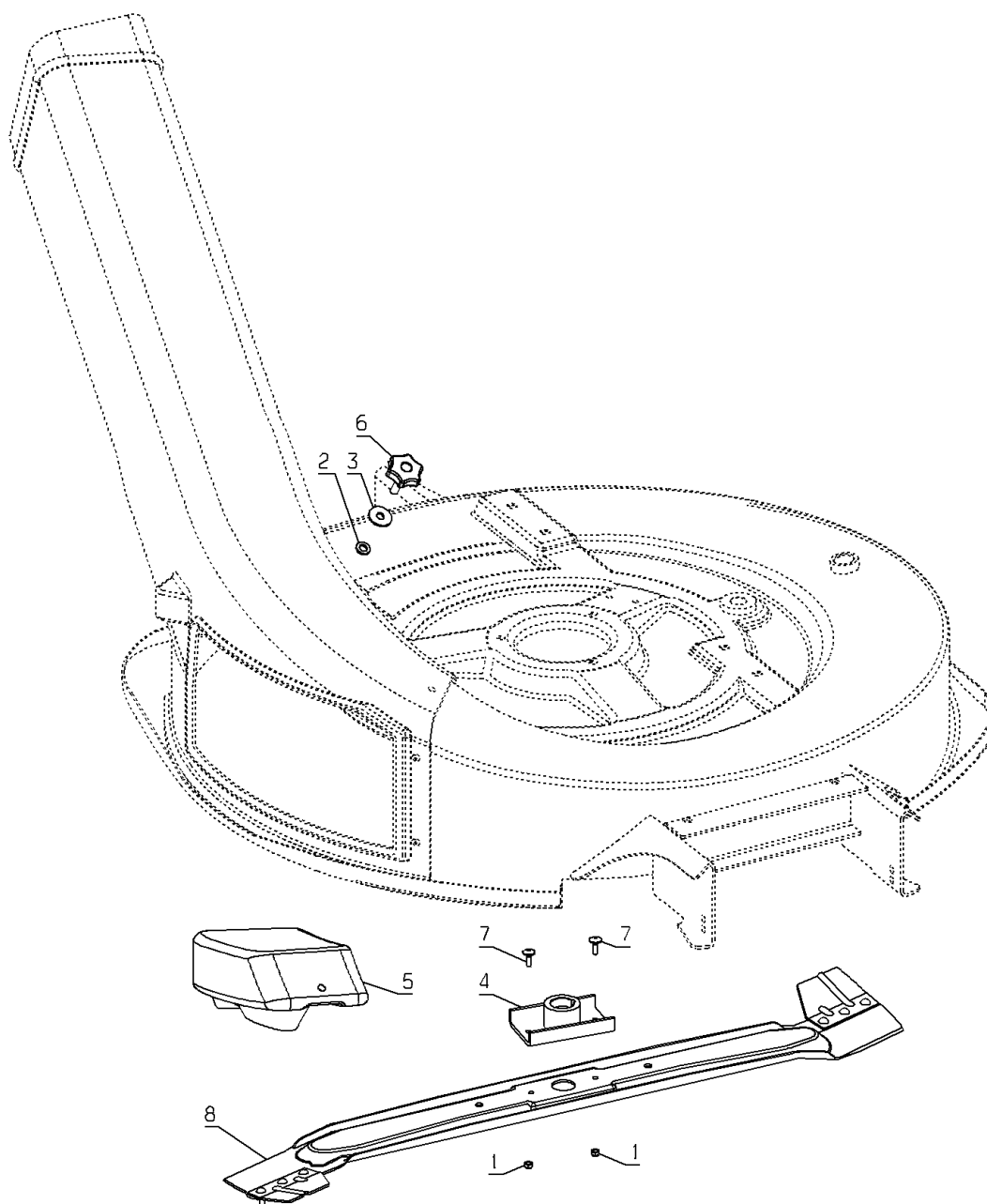
04/2010

Number	Part Number	Name	Quantity
1	2235	WASHER A6.4	1,000
2	71201	NUT M6	1,000
3	21608	SCREW 6X16 DIN	1,000
4	37307	LEFT PROTECTION KAW	1,000
5	37308	RIGHT PROTECTION	1,000
6	37310	LEFT PROTECT.FIXING	1,000
7	37311	PROTECTION FIXING	1,000
8	37486	LEFT PROTECTION	1,000
9	37487	RIGHT PROTECTION	1,000
10	37499	1/4 ROTATION LOCK	1,000
11	37500	1/4 ROTATION WASHER	1,000
12	37501	1/4 ROTATION SCREW	1,000
13	37550	MOB.ELEM.NORM.KIT	1,000
14	37551	MOB.ELEM.NORM.KIT.K	1,000

Number	Part Number	Name	Quantity
1	71205	SCREW M8	1,000
2	7335	WASHER	1,000
3	9017	NUT HM10	1,000
4	9022	BALL BEARING 6002	1,000
5	9166	WASHER 15X24X2	1,000
6	20513	SCREW,DIN 933 H M 8	1,000
7	28123	ROLLER	1,000
8	28333	ROLLER SPACER	1,000
9	28437	ROLLER HOLDER	1,000
10	28440	UPPER ROLLER TUBE	1,000
11	MAS80	ANTI SCALP KIT	1,000
12	71005	SAFETY PIN,DIN 1102	1,000
13	71032	KAWA SCREW H M10X75	1,000
14	71126	FLAT WASHER,DIN 734	1,000
15	71228	BETA PIN 4	1,000

MU80N

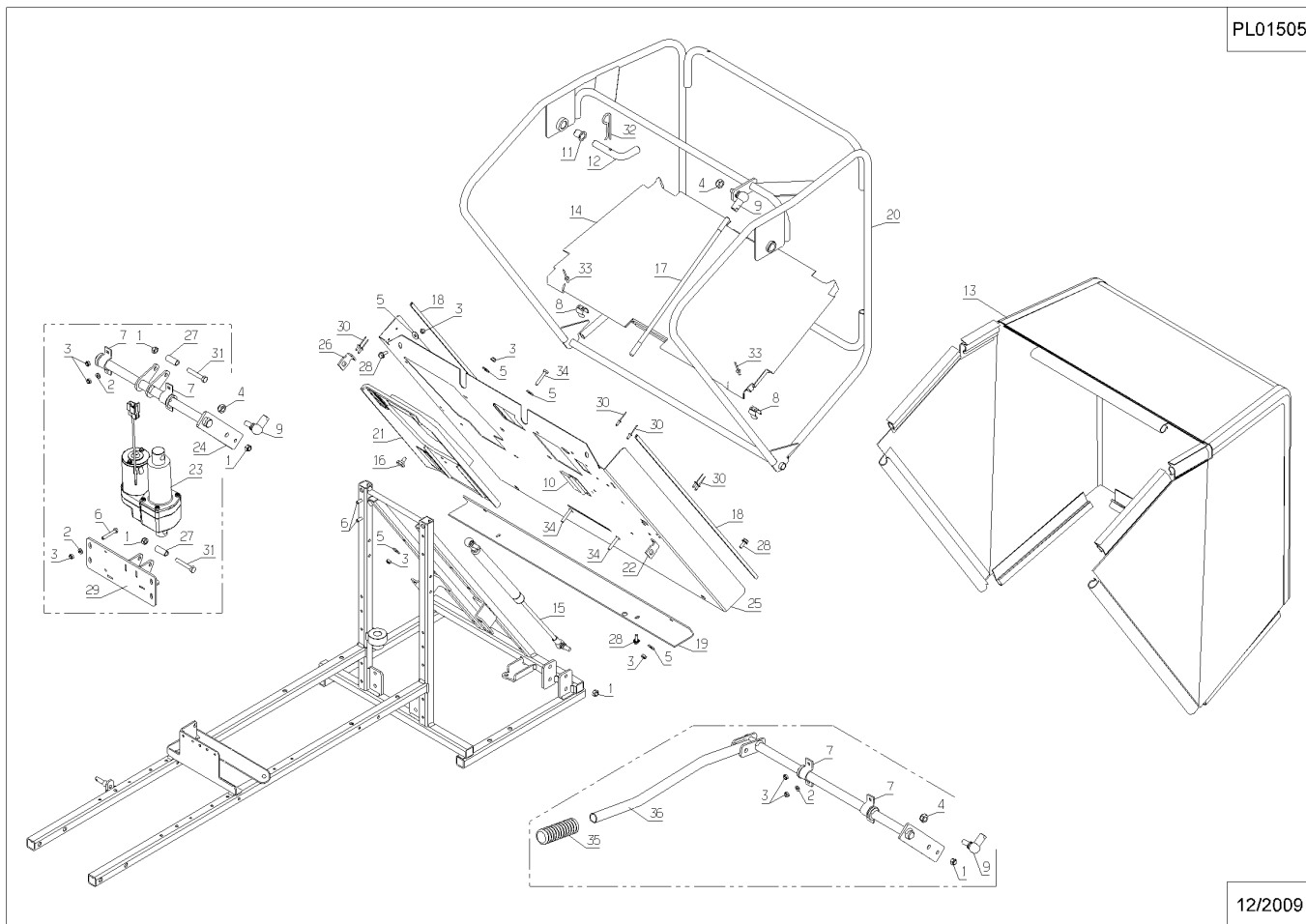
PL01316



02/2011

Number	Part Number	Name	Quantity
1	37561	NUT	1,000
2	71343	SPRING WASHER A8	1,000
3	7035	FLAT WASHER	1,000
4	28420	BLADE COUPLING	1,000
5	35936	MULCHING PLUG	1,000
6	36152	BUTTOM	1,000
7	71231	SCREW JM5-16	1,000
8	MZ80M	BLADES FOR MULCHING	1,000

PL01505

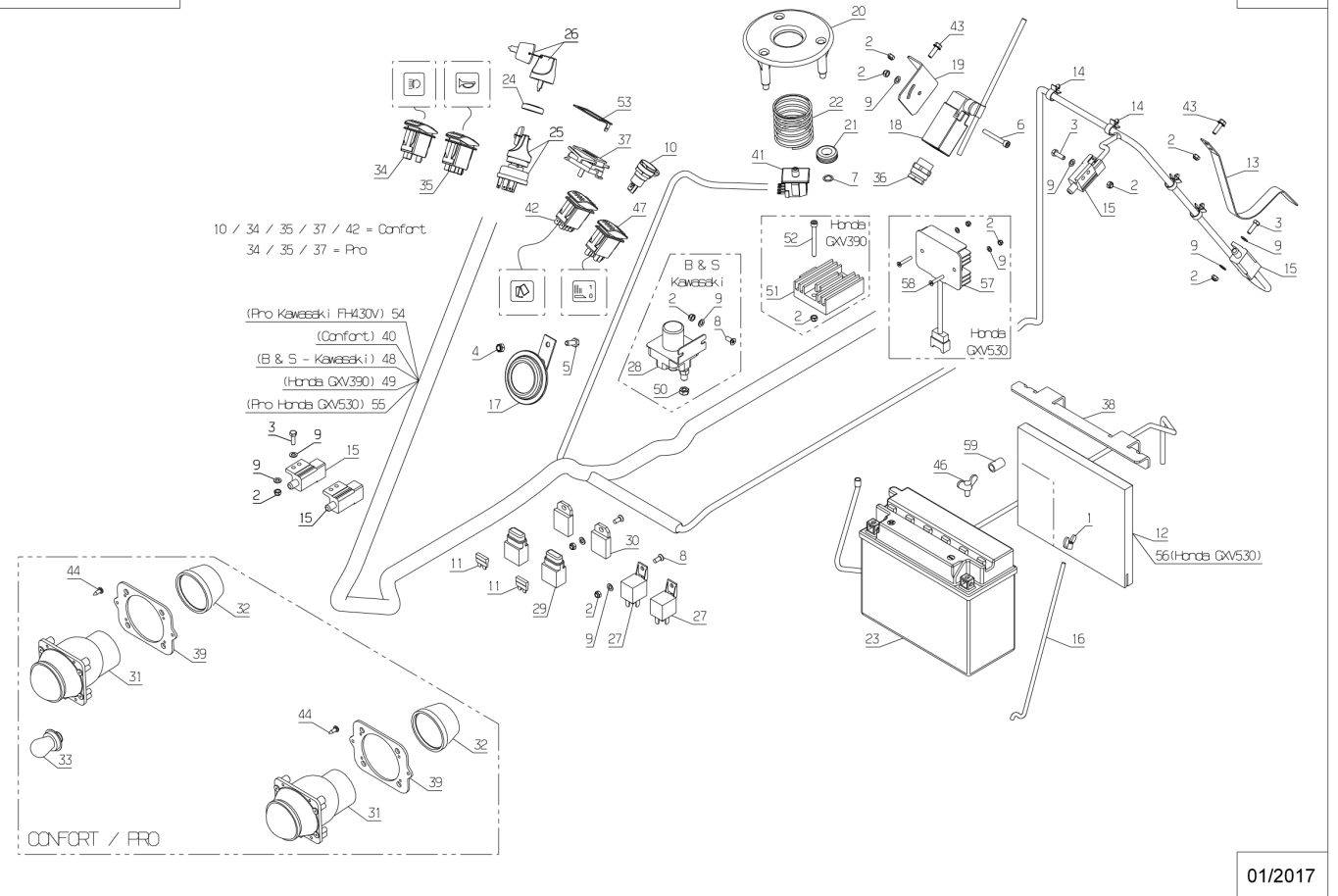


12/2009

Number	Part Number	Name	Quantity
1	71205	SCREW M8	1,000
2	2235	WASHER A6.4	1,000
3	71201	NUT M6	1,000
4	9017	NUT HM10	1,000
5	21270	WASHER 6,4	1,000
6	22456	SCREW HM 6X40	1,000
7	25711	STRAP	1,000
8	25886	17/20 CUP	1,000
9	28047	STEER. KNUCKLE M10	1,000
11	28070	SLEEVE 15/17/20	1,000
12	28082	LINK AXLE	1,000
13	28087	BAG	1,000
14	28095	COLLECTOR BOTTOM	1,000
15	51458	GAS CYLINDER	1,000
16	28137	CATCH BOLT SP.SCREW	1,000
17	28168	RETURNING ROD	1,000
18	28254	PROTECT.COATING 690	1,000
19	28362	COLL.PLATE REINF.96	1,000
20	28408	COLLECTOR FRAME	1,000
23	36762	ELECTRIC RAM	1,000
24	36768	AXLE	1,000
25	37509	REAR PLATE	1,000
26	37621	FIXING COVERING	1,000
27	37710	BUSH 30X12.7X8.5	1,000
28	37997	SCREW HM6-16 8.8	1,000
30	71114	ALUMINUM NAIL RIVET	1,000
31	71223	SCREW M8X50	1,000
32	71228	BETA PIN 4	1,000
33	71241	NAIL RIVET 4,8X10,5	1,000
34	71259	SCREW HM6X35	1,000
35	28118	CUT.HEIGHT LEVER HA	1,000
36	28409	LEVER	1,000

155182 → 163487

PL01507

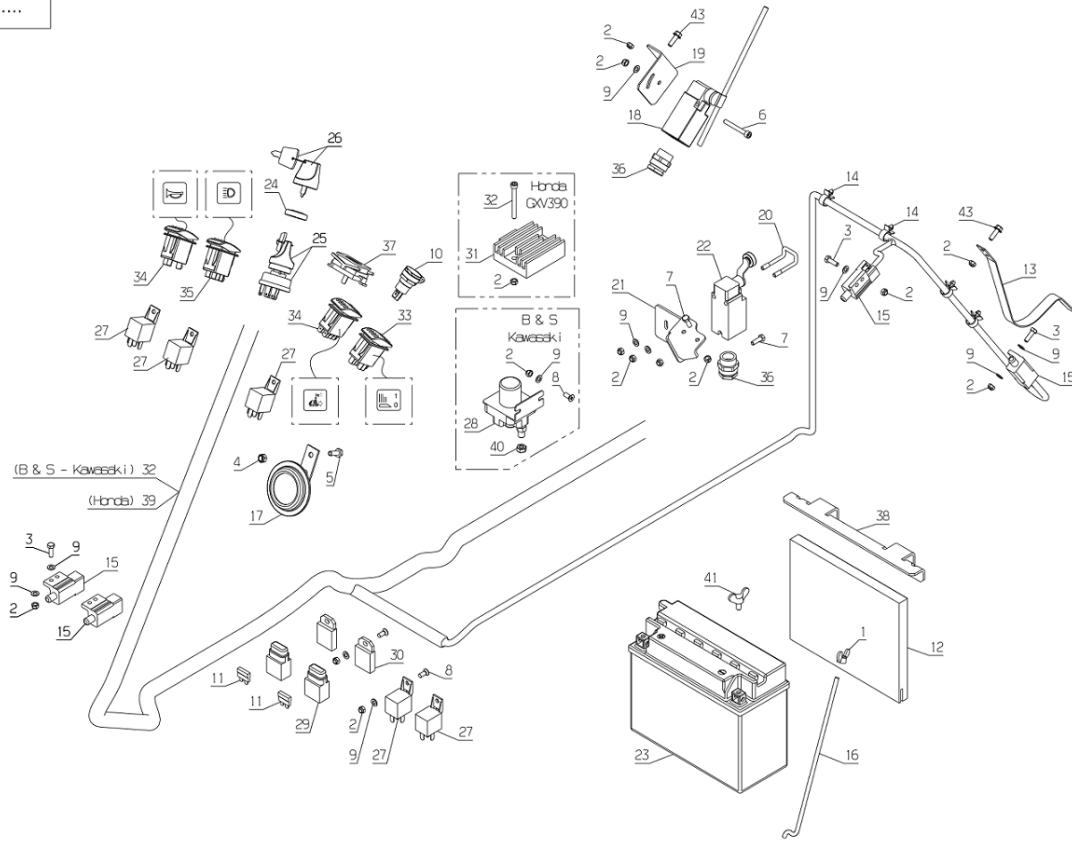


Number	Part Number	Name	Quantity
1	1504	WING NUT	1,000
2	37561	NUT	1,000
3	5071	BOLT HM 5X20	1,000
4	71201	NUT M6	1,000
5	37997	SCREW HM6-16 8.8	1,000
6	5399	BOLT M5X40	1,000
7	7377	TRUARC COLLAR DIN 7	1,000
8	20563	SCREW M5 X 12	1,000
9	20564	WASHER 5,5	1,000
10	25822	FEMALE 2 WIR.CONNEC	1,000
11	25828	FUSE 25A 12V	1,000
12	28015	BATTERY HEAT PROTEC	1,000
13	28073	COLLECTOR SWITCH PL	1,000
14	28081	CLAMP 12,8MM	1,000
15	28159	SWITCH	1,000
16	28164	BATTERY CLAMP ROD	1,000
17	28209	ALARM	1,000
18	28210	BUZZER SWITCH	1,000
19	28211	BUZZER SWITCH SUPP.	1,000
20	28279	SENSITIVE DISK	1,000
21	28292	RUBBER FUNEL DIA.14	1,000
22	28293	SPRING	1,000
23	52101	BATTERY	1,000
24	28382	KEY CONTACT. EMBEL.	1,000
25	28384	KEY CONTACTOR	1,000
26	28388	SET OF 2 KEY	1,000
27	28392	WATERPROOF RELAY	1,000
28	16604	RELAY STARTER KIT	1,000
29	28582	PLUG FUSE HOLDER	1,000
30	28594	BRACKET	1,000
31	28689	-> 54396 + 100500	1,000
32	28743	REAR CAP	1,000
33	28744	BULB	1,000
34	52497	SWITCH ON/OFF LIGHT	1,000
35	52495	SWITCH ON/OFF/ON	1,000
36	29789	CONTACTOR GROMMET	1,000
37	51640	HOUR COUNTER	1,000
38	35675	BATTERY ANGLE BRACK	1,000
39	37198	LIGHTS BRACKET	1,000
40	37834	ELECTRICAL WIRING	1,000
41	37835	SEAT SWITCH	1,000

Number	Part Number	Name	Quantity
42	37838	SWITCH	1,000
43	37996	SCREW HM5-16 8.8	1,000
44	71111	TAPPING SCREW,DIN 7	1,000
46	71236	WING SCREW M6X12	1,000
47	52494	SWITCH	1,000
48	51760	WIRING	1,000
49	36728	ELECTRICAL WIRING	1,000
50	71001	NUT 1/4"	1,000
51	18796	REGULATOR	1,000
52	71167	CHC M5X50 SCREW	1,000
53	38459	TACHO.ANTIPARASITIC	1,000
54	36893	ELECTRICAL WIRING	1,000
55	38520	ELECTRICAL WIRING	1,000
56	38713	BATTERY HEAT PROTEC	1,000
57	18840	REGULATOR GXV 530	1,000
58	71058	SLOTTED SCREW,DIN 9	1,000
59	42019	BUSH 12X8,2X19	1,000

163488 →

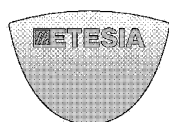
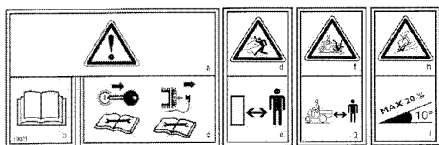
PL02306



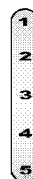
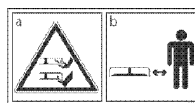
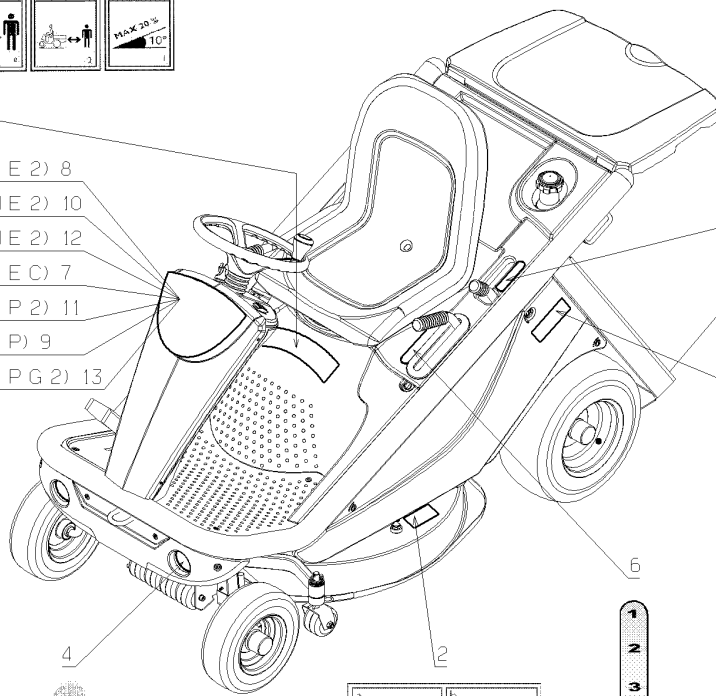
02/2020

Number	Part Number	Name	Quantity
1	1504	WING NUT	1,000
2	37561	NUT	1,000
3	5071	BOLT HM 5X20	1,000
4	71201	NUT M6	1,000
5	37997	SCREW HM6-16 8.8	1,000
6	5399	BOLT M5X40	1,000
7	2009	BOLT M5X16	1,000
8	20563	SCREW M5 X 12	1,000
9	20564	WASHER 5,5	1,000
10	25822	FEMALE 2 WIR.CONNEC	1,000
11	25828	FUSE 25A 12V	1,000
12	28015	BATTERY HEAT PROTEC	1,000
13	28073	COLLECTOR SWITCH PL	1,000
14	28081	CLAMP 12,8MM	1,000
15	28159	SWITCH	1,000
16	28164	BATTERY CLAMP ROD	1,000
17	28209	ALARM	1,000
18	28210	BUZZER SWITCH	1,000
19	28211	BUZZER SWITCH SUPP.	1,000
20	35213	SWITCH FIXING	1,000
21	50083	SEATSWIT.BRACKET	1,000
22	29257	SAFETY SWITCH	1,000
23	52101	BATTERY	1,000
24	28382	KEY CONTACT. EMBEL.	1,000
25	28384	KEY CONTACTOR	1,000
26	28388	SET OF 2 KEY	1,000
27	28392	WATERPROOF RELAY	1,000
28	16604	RELAY STARTER KIT	1,000
29	28582	PLUG FUSE HOLDER	1,000
30	28594	BRACKET	1,000
31	18796	REGULATOR	1,000
32	51760	WIRING	1,000
33	52494	SWITCH	1,000
34	52495	SWITCH ON/OFF/ON	1,000
35	52497	SWITCH ON/OFF LIGHT	1,000
36	29789	CONTACTOR GROMMET	1,000
37	51640	HOUR COUNTER	1,000
38	35675	BATTERY ANGLE BRACK	1,000
39	51462	ELEC.WIRING HONDA	1,000
40	71001	NUT 1/4"	1,000
41	71236	WING SCREW M6X12	1,000

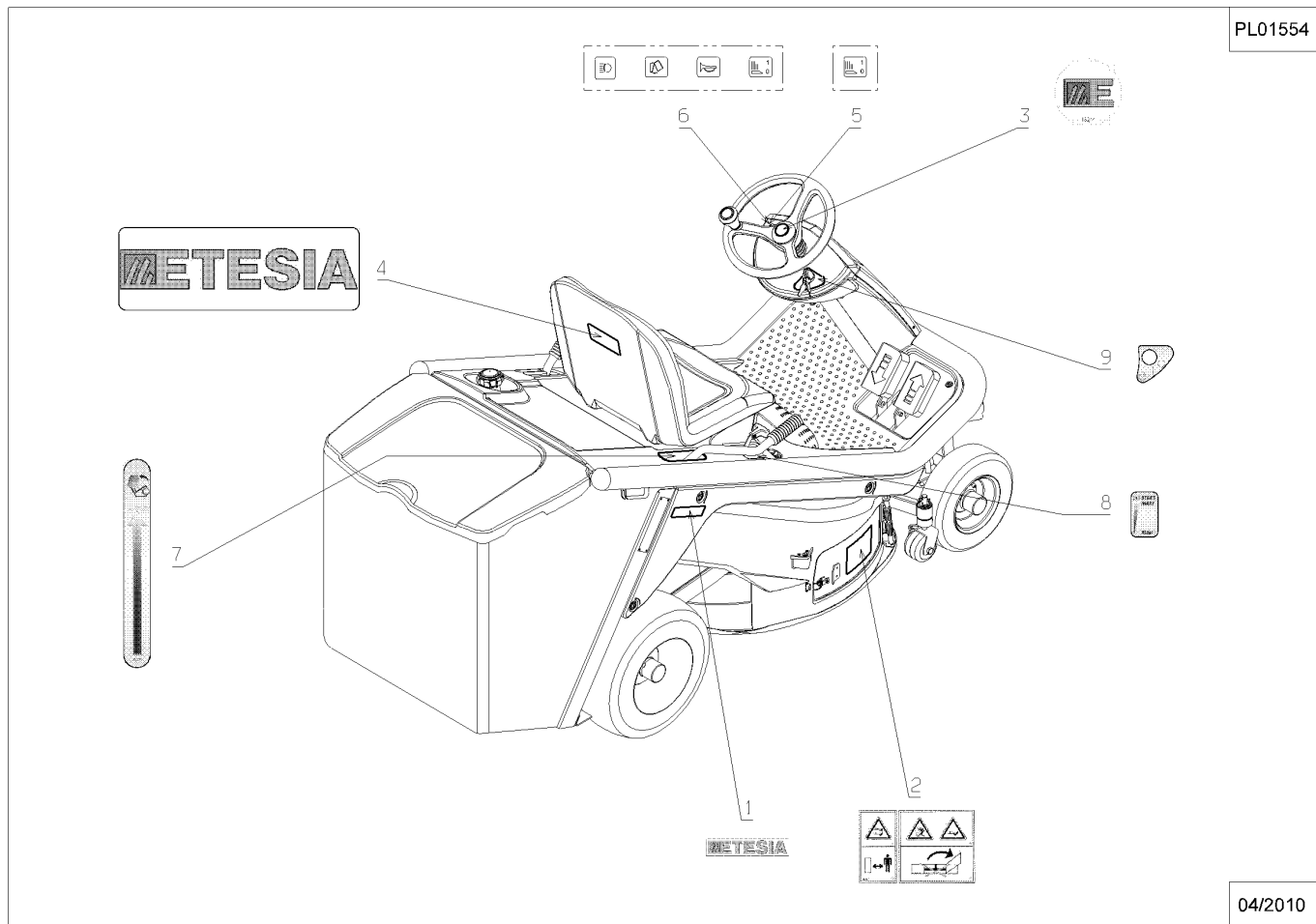
Number	Part Number	Name	Quantity
43	37996	SCREW HM5-16 8.8	1,000



- 1
- (MBHE 2) 8
- (MHHE 2) 10
- (MKHE 2) 12
- (MBHEC) 7
- (MKHP 2) 11
- (MHHP) 9
- (MKHPG 2) 13



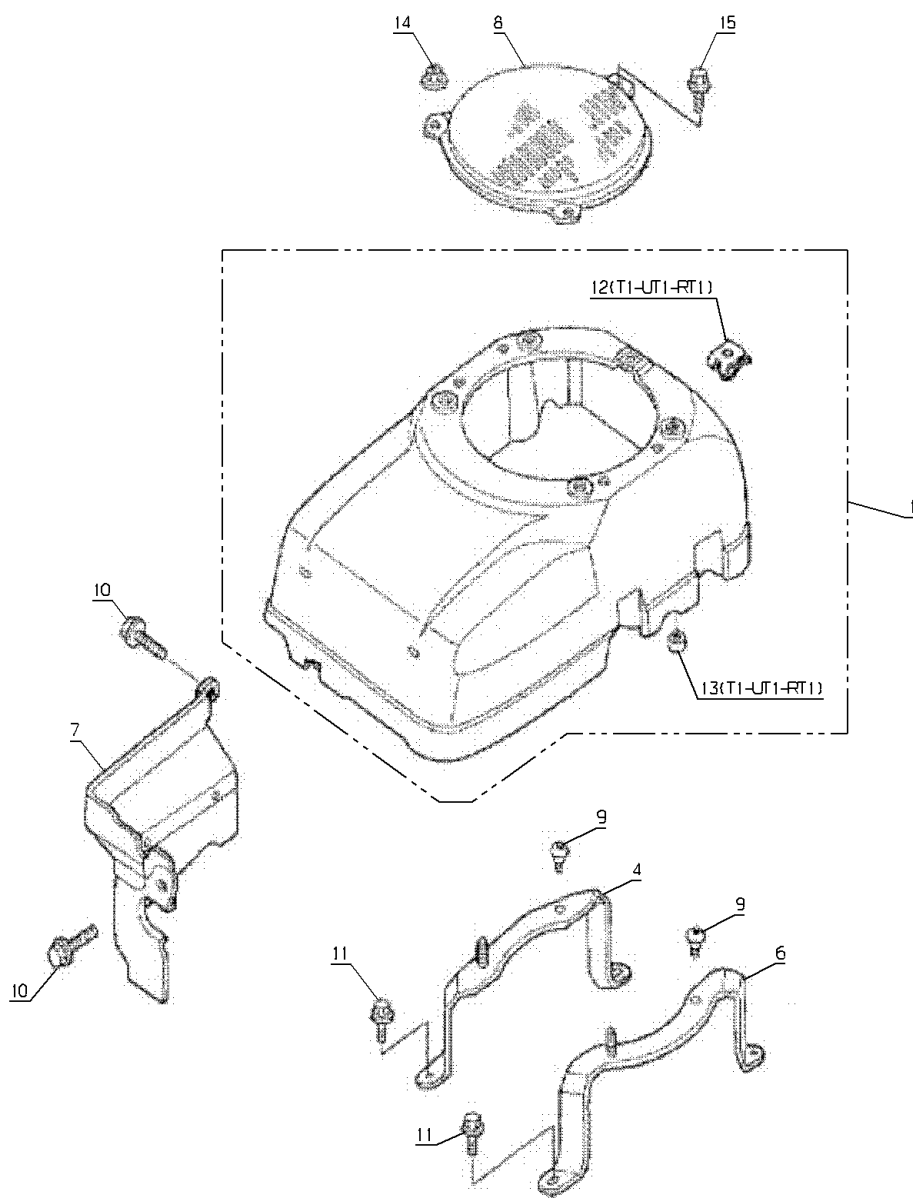
Number	Part Number	Name	Quantity
1	13021	STICKER	1,000
2	13062	STICKER CUT-DECK	1,000
3	13086	STICKER ETESIA	1,000
4	35866	STICKER - BLINKER	1,000
5	52810	KIT STICKERS	1,000
7	37828	STICKER MKHEC	1,000
8	54520	MBHE2 STICKER	1,000
9	38352	STICKER CONS.MHHP2	1,000
10	38253	-> 54521	1,000
11	54522	MKHP3 STICKER	1,000
12	54529	MKHE3 STICKER	1,000
13	36860	CONS.STICKER MKHPG2	1,000



Number	Part Number	Name	Quantity
1	13086	STICKER ETESIA	1,000
2	13089	ETIQ. TRAPPE FR.	1,000
3	25330	BADGE - ETESIA	1,000
4	28308	ETESIA LOGO	1,000
5	37831	STICKER - BLADES	1,000
6	51432	STICKER	1,000
7	52810	KIT STICKERS	1,000
8	38053	STICKER	1,000
9	38146	STICKER	1,000

HONDA GXV390

PL01746

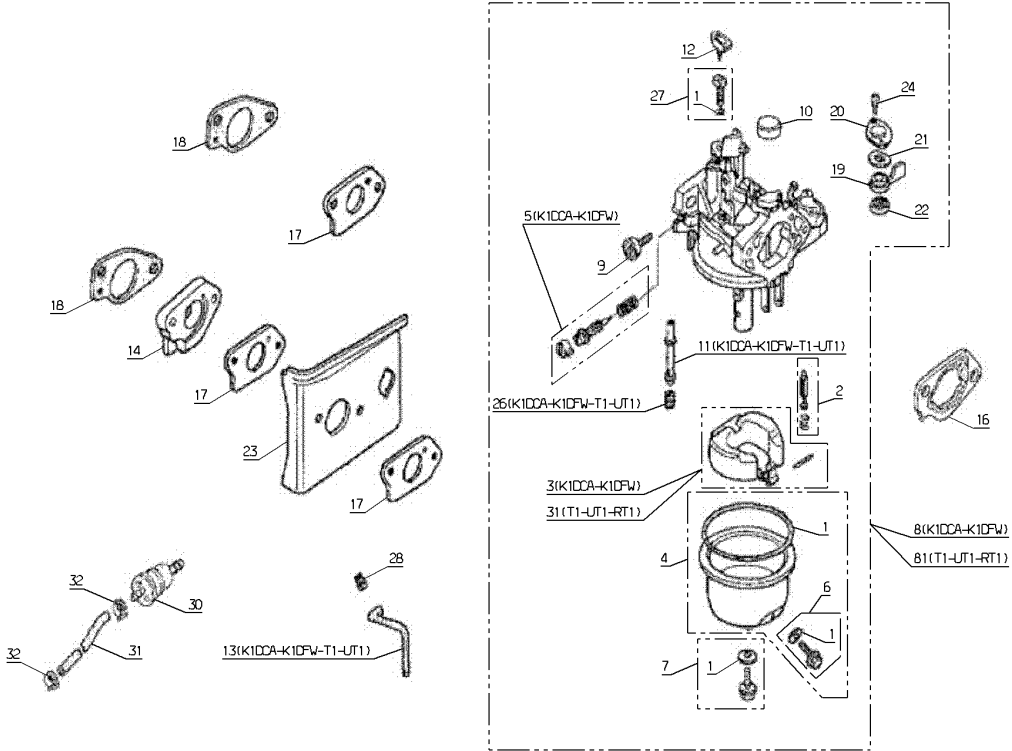


05/2011

Number	Part Number	Name	Quantity
1	18747	FAN COVER	1,000
4	18748	RIGHT BRACKET	1,000
6	18749	BRACKET LEFT	1,000
7	18750	SHROUD	1,000
8	18751	SCREEN GRID	1,000
9	18752	SCREW	1,000
10	18505	SCREW 6X12	1,000
11	18506	SCREW 6X14	1,000
12	18966	CLIPS NUT	1,000
13	18968	SPACER	1,000
14	18558	NUT	1,000
15	18753	SCREW 6X10	1,000

HONDA GXV390

PL01747

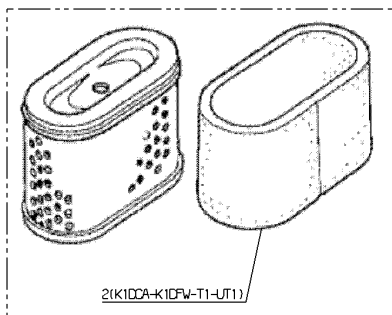
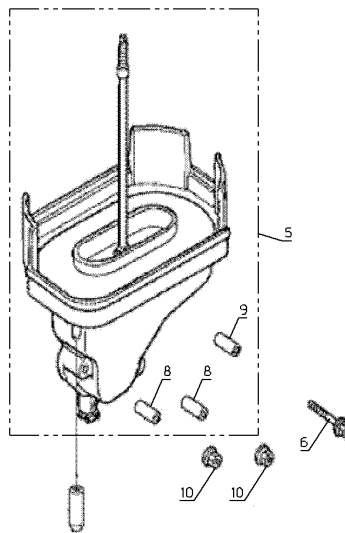
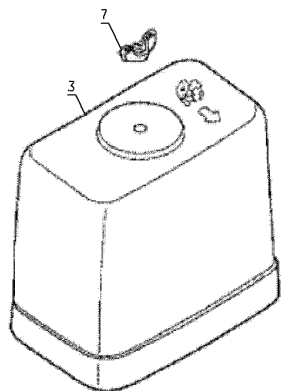


05/2011

Number	Part Number	Name	Quantity
1	18754	GASKET SET	1,000
2	18755	VALVE SET FLOAT	1,000
3	18756	FLOAT SET	1,000
4	18757	CHAMBER SET FLOAT	1,000
5	18758	SCREW SET	1,000
6	18759	SCREW & GASKET	1,000
7	18580	SCREW WITH SEAL	1,000
8	-	-	1,000
9	18762	SCREW	1,000
10	18763	CAP	1,000
11	18764	NOZZEL MAIN	1,000
12	18765	COLLAR	1,000
13	18766	TUBE	1,000
14	18767	INSULATOR	1,000
16	18768	SPACER	1,000
17	18779	GASKET	1,000
18	18769	GASKET	1,000
19	18770	LEVER	1,000
20	18771	CLAMP	1,000
21	18772	WASHER	1,000
22	18773	GASKET	1,000
23	18774	GUIDE AIR	1,000
24	18775	SCREW 3X6	1,000
26	18777	JET MAIN 92	1,000
27	18778	JET SET PILOT 40	1,000
28	18573	CLIP	1,000
31	18609	FLOAT	1,000
81	18634	CARBURETOR	1,000

HONDA GXV390

PL01748



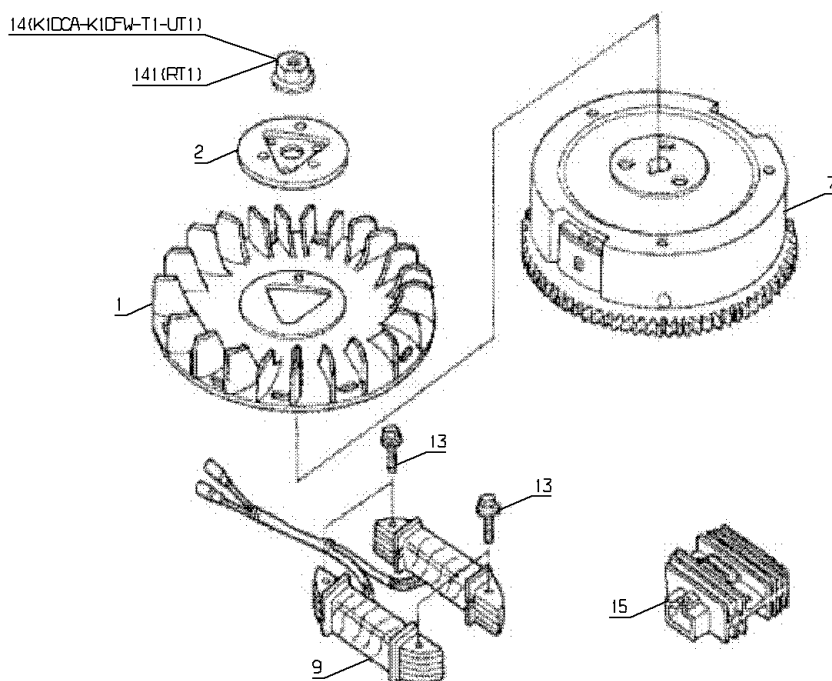
2(K1CDA-K1DFW-T1-UT1)
1(K1CDA-K1DFW-T1-UT1) 11(RT1)

05/2011

Number	Part Number	Name	Quantity
1	18780	AIR CLEANER	1,000
2	18781	FILTER OUTER	1,000
3	18782	COVER AIR CLEANER	1,000
4	18783	SPACER	1,000
5	18784	FILTER BRACKET	1,000
6	18785	SCREW 6X45	1,000
7	18786	NUT	1,000
8	18787	SPACER	1,000
9	18788	SPACER	1,000
10	18558	NUT	1,000
11	18707	FILTER + PREFILTER	1,000

HONDA GXV390

PL01749

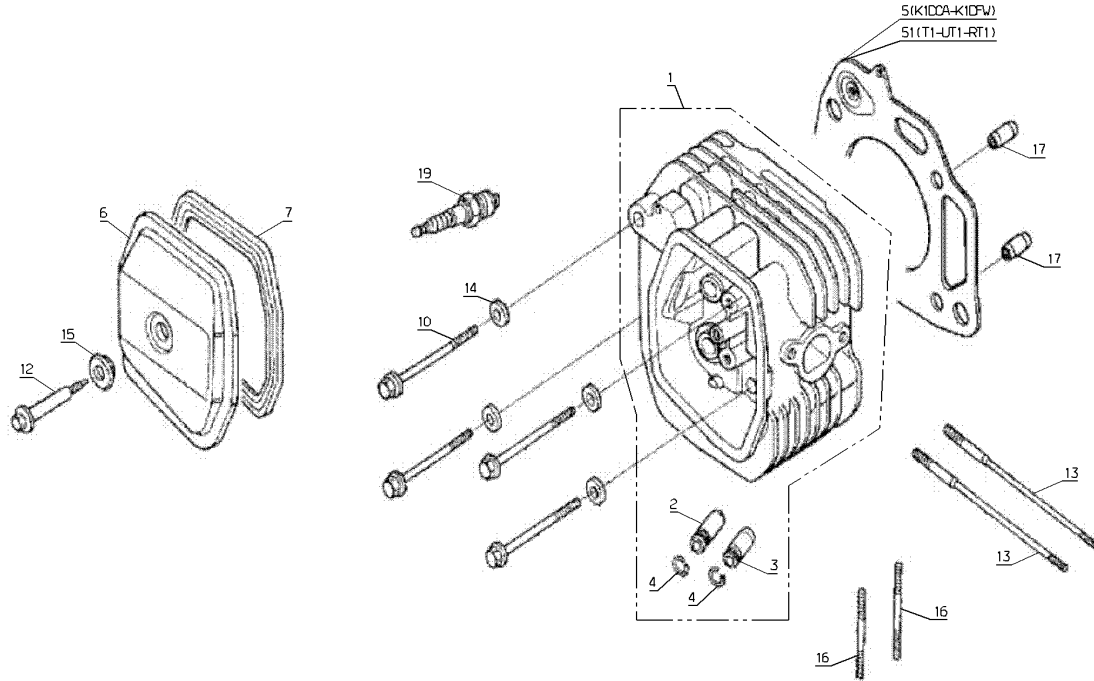


05/2011

Number	Part Number	Name	Quantity
1	18789	FAN COOLING	1,000
2	18790	SPACER	1,000
7	18793	FLYWHEEL	1,000
9	18795	COIL ASSY	1,000
13	18794	SCREW 6X32	1,000
14	18791	NUT	1,000
15	18796	REGULATOR	1,000
141	18965	NUT	1,000

HONDA GXV390

PL01750

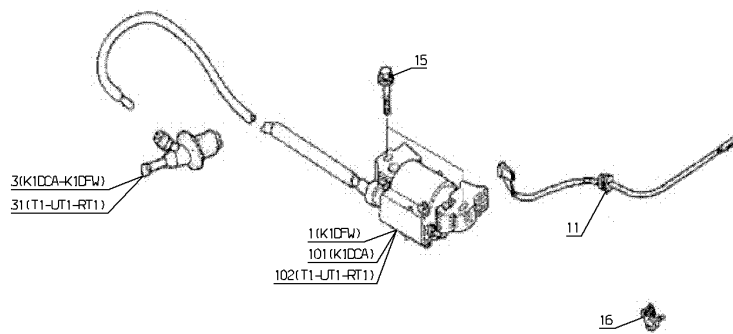


05/2011

Number	Part Number	Name	Quantity
1	18653	CYLINDER HEAD	1,000
2	18654	GUIDE IN.VALVE	1,000
3	18655	GUIDE EXH.VALVE	1,000
4	18656	CLIP	1,000
5	18657	CYLIND. HEAD GASKET	1,000
6	18659	COVER HEAD	1,000
7	18660	GASKET	1,000
10	18662	BOLT FLANGE	1,000
12	18663	SCREW	1,000
13	18664	BOLT STUD 8X138,5	1,000
14	18967	WASHER	1,000
15	18665	GASKET	1,000
16	18666	BOLT STUD 8X32	1,000
17	18667	PIN	1,000
19	3861	SPARK PLUG D.14X19R	1,000
51	18509	CYLIND. HEAD GASKET	1,000

HONDA GXV390

PL01751

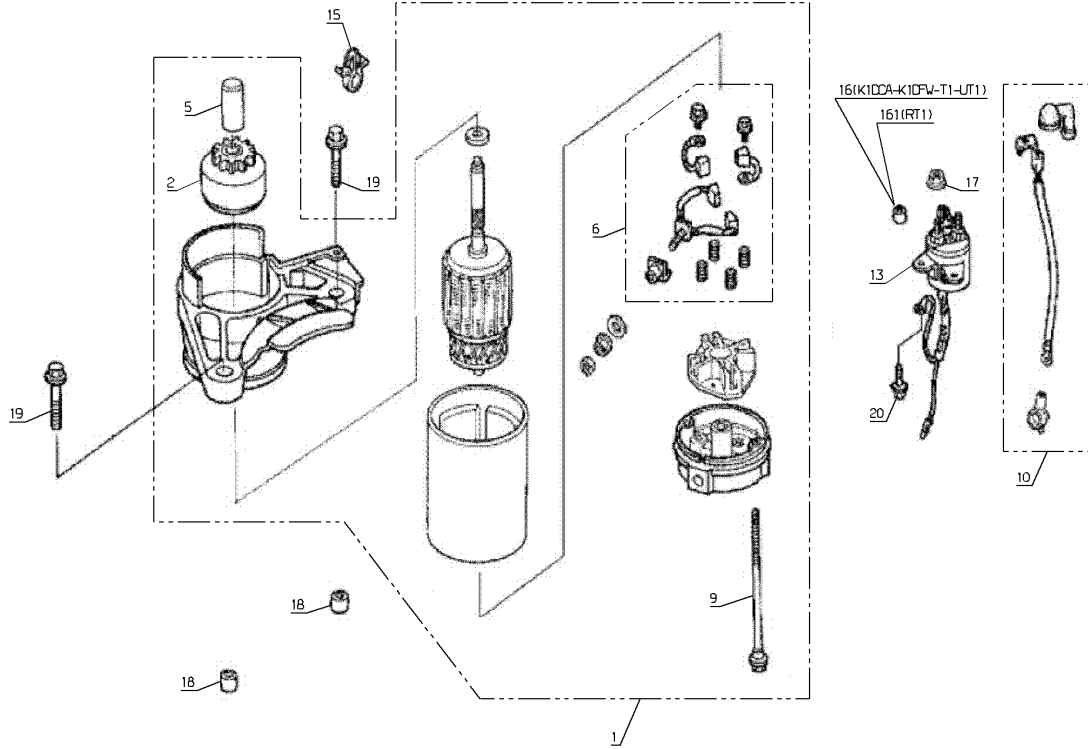


05/2011

Number	Part Number	Name	Quantity
1	18800	IGNITION COIL	1,000
3	18799	CAP ASSY	1,000
11	18802	CORD STOP SWITCH	1,000
15	18801	BOLT 8X32	1,000
16	18803	CLIP	1,000
31	18847	SPARK PLUG CAP	1,000
102	18830	COIL	1,000

HONDA GXV390

PL01752

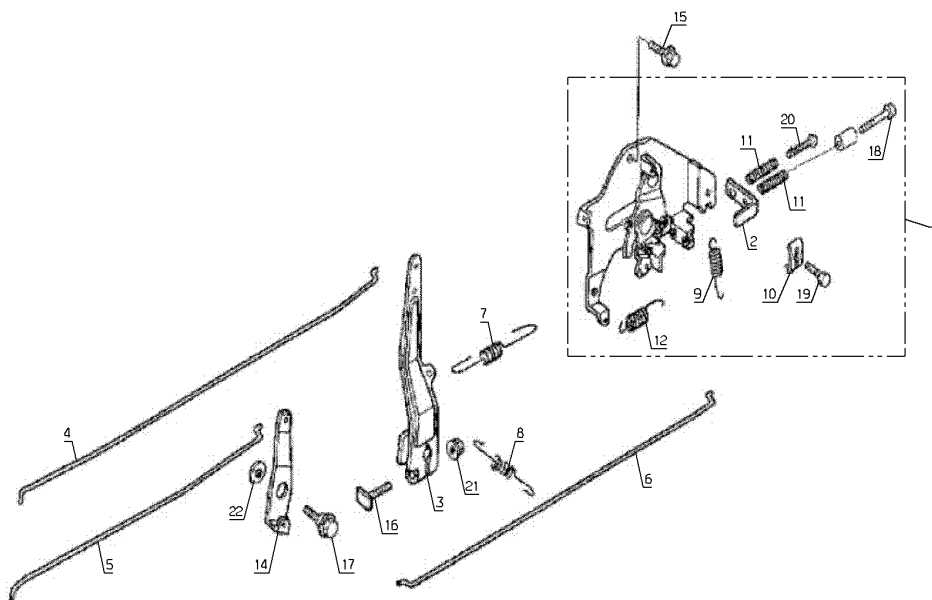


05/2011

Number	Part Number	Name	Quantity
1	18804	STARTER MOTOR	1,000
2	18805	DRIVE ASSY	1,000
5	18806	RING	1,000
6	18807	BRUSH SET	1,000
9	18808	BOLT	1,000
10	18809	WIRING CPLT	1,000
13	18812	MAGNETIC SWITCH	1,000
15	18813	CLIP	1,000
16	18814	COLLAR	1,000
17	18558	NUT	1,000
18	18815	COLLAR	1,000
19	18816	SCREW 8X35	1,000
20	18522	SCREW 6X25	1,000
161	18969	SPACER	1,000

HONDA GXV390

PL01753

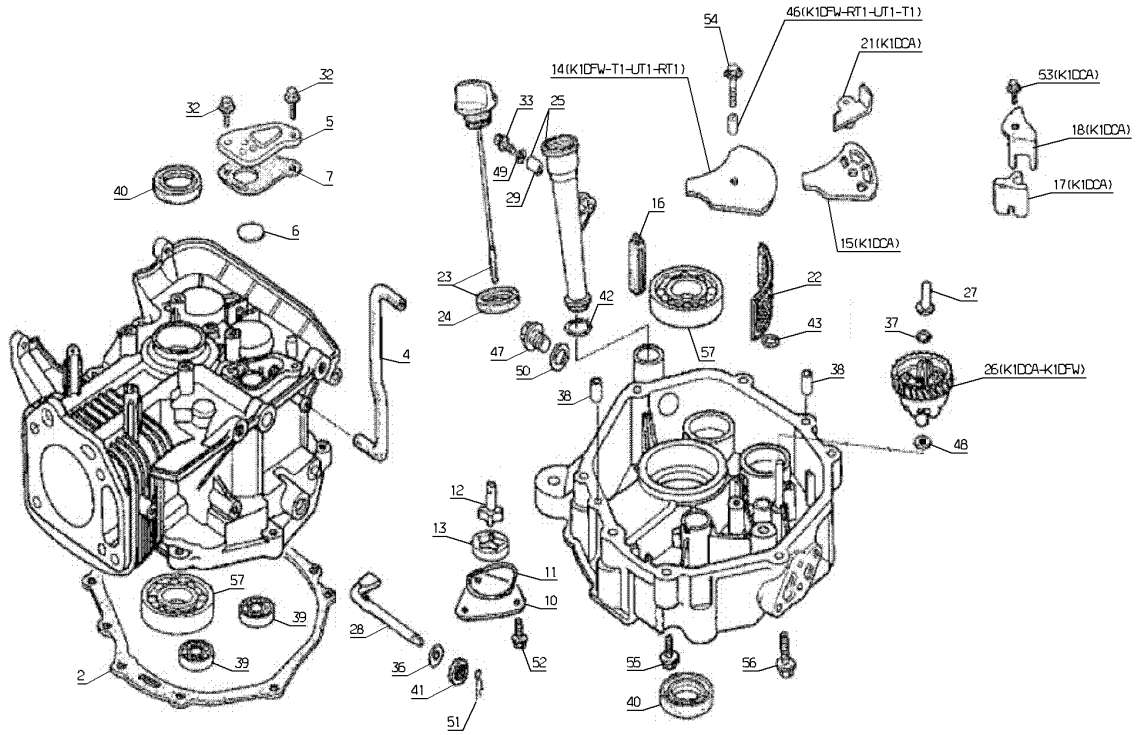


05/2011

Number	Part Number	Name	Quantity
1	18817	CONTROL ASSY	1,000
2	18818	PLATE	1,000
3	18819	GOVERNOR ARM	1,000
4	18820	GOVERNOR ROD	1,000
5	18821	CHOKE ROD	1,000
6	18822	ROD	1,000
7	18823	GOVERNOR SPRING	1,000
8	18635	SPRING	1,000
9	18825	SPRING	1,000
10	18644	CLAMP	1,000
11	18827	SPRING	1,000
12	18828	SPRING	1,000
14	18829	CHOKE LEVER	1,000
15	18505	SCREW 6X12	1,000
16	18649	SCREW LEVER	1,000
17	18831	SCREW 6MM	1,000
18	18832	SCREW 5X35	1,000
19	18833	SCREW 5X16	1,000
20	18834	SCREW 5X22	1,000
21	18652	NUT 6MM	1,000
22	18527	WASHER 6MM	1,000

HONDA GXV390

PL01754

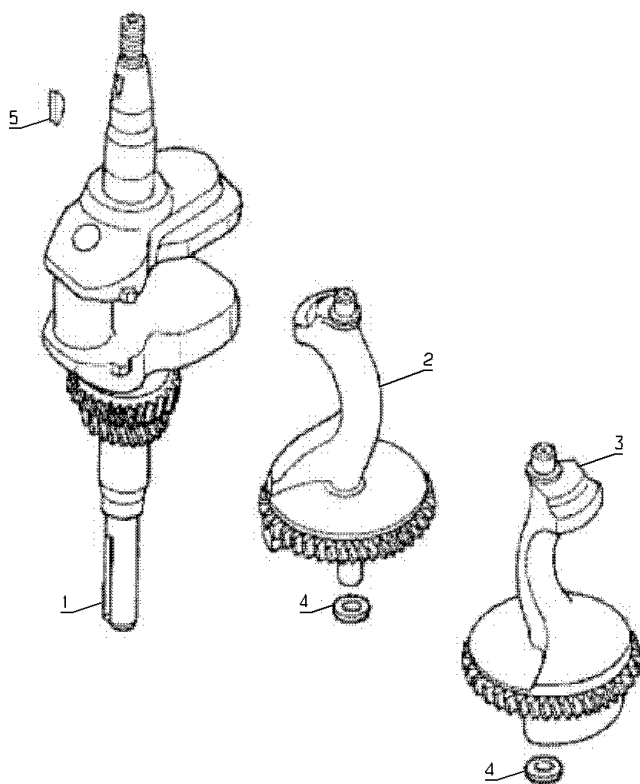


05/2011

Number	Part Number	Name	Quantity
2	18669	GASKET	1,000
4	18671	TUBE	1,000
5	18672	CAP	1,000
6	18673	VALVE	1,000
7	18674	GASKET	1,000
10	18677	CAP	1,000
11	18678	O-RING	1,000
12	18679	PUMP SHAFT	1,000
13	18680	PUMP BODY	1,000
14	18608	COVER	1,000
15	18681	CAP	1,000
16	18682	GASKET	1,000
17	18683	STOPPER OIL	1,000
18	18684	PLATE OIL STOPPER	1,000
21	18685	PLATE	1,000
22	18686	SCREEN OIL FILTER	1,000
23	18687	OIL GAUGE	1,000
24	18688	GASKET	1,000
40	18703	OIL SEAL 35X52X8	1,000

HONDA GXV390

PL01755

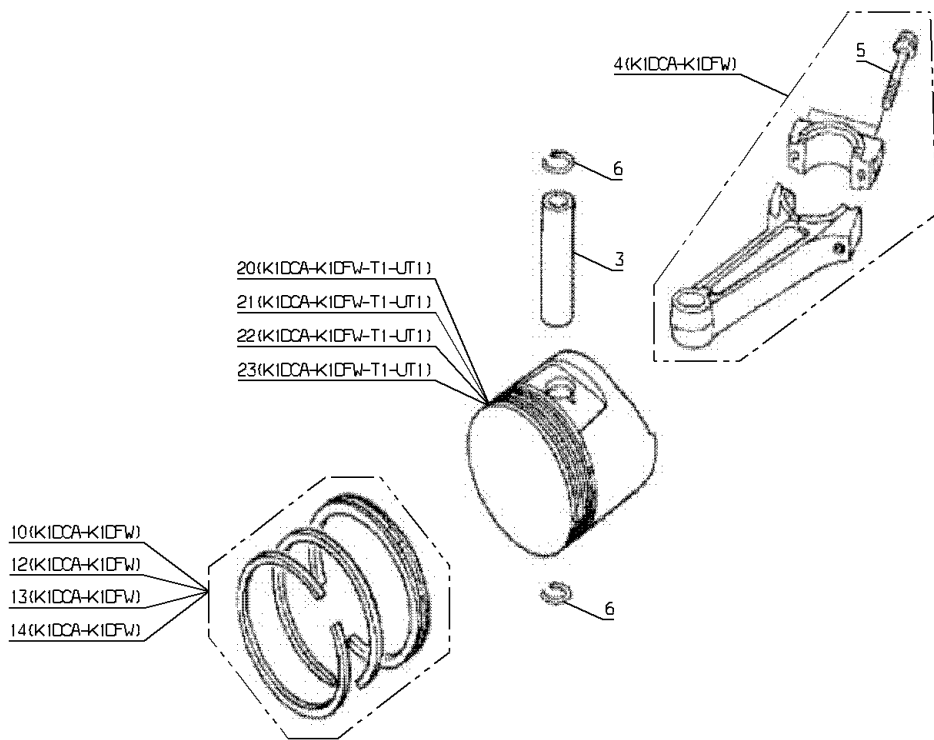


05/2011

Number	Part Number	Name	Quantity
1	18713	CRANKSHAFT	1,000
2	18714	BALANCER WEIGHT A	1,000
3	18715	BALANCER WEIGHT B	1,000
4	18716	WASHER 15MM	1,000
5	18792	KEY 25X18	1,000

HONDA GXV390

PL01756

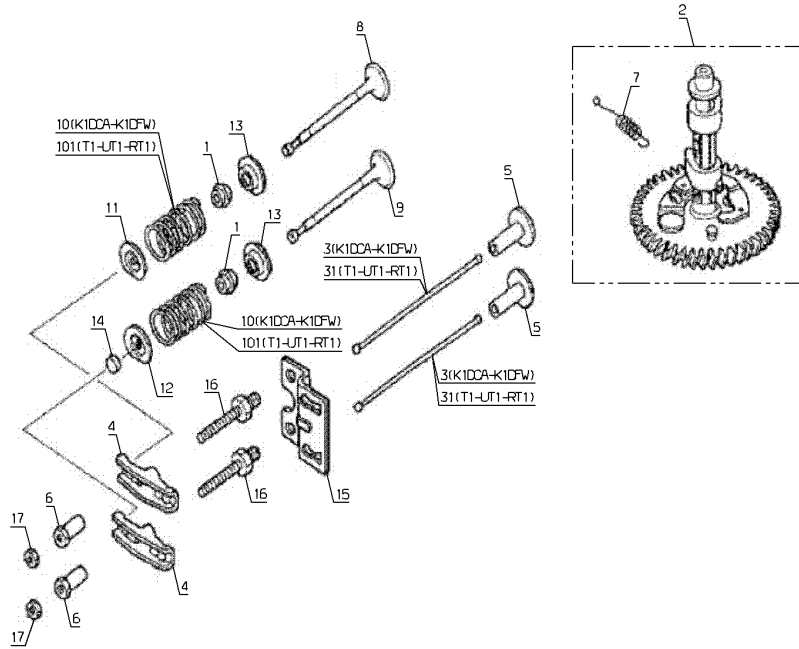


05/2011

Number	Part Number	Name	Quantity
3	18725	PIN PISTON	1,000
4	18726	ROD ASSY	1,000
5	18728	BOLT CONNECTING	1,000
6	18729	CLIP PISTON PIN	1,000
10	18717	RING SET STD	1,000
12	18718	RING SET 0,25	1,000
13	18719	RING SET 0,50	1,000
14	18720	RING SET 0,75	1,000
20	18721	PISTON STD	1,000
21	18722	PISTON 0,25	1,000
22	18723	PISTON 0,50	1,000
23	18724	PISTON 0,75	1,000

HONDA GXV390

PL01757



05/2011

Number	Part Number	Name	Quantity
1	18730	VALVE SEAL	1,000
2	18731	CAMSHAFT ASSY	1,000
3	18732	ROD PUSH	1,000
4	18733	VALVE ROCKER ARM	1,000
5	18734	LIFTER ARM	1,000
6	18735	PIVOT ROCKER ARM	1,000
7	18736	SPRING	1,000
8	18737	INLET VALVE	1,000
9	18738	VALVE EXH.	1,000
10	18739	VALVE SPRING	1,000
11	18740	RETAINER	1,000
12	18741	RETAINER	1,000
13	18742	WASHER	1,000
14	18743	ROTATOR VALVE	1,000
15	18744	GUIDE PUSH ROD	1,000
16	18745	SCREW	1,000
17	18746	NUT	1,000
31	18555	ROD PUSH	1,000
101	18592	SPRING	1,000